

# NEW TOURAN



Das Auto.

**FOR EVERYONE AND EVERYTHING.**



Life is about choices and the New Touran gives you the freedom to make choices. The spacious interior, versatile seating combinations and multiple storage compartments give you room to be flexible and mean that you're always ready for anything. The New Touran's contemporary exterior is handsome, dynamic and sporty, clearly showing off the new face of Volkswagen, giving you a car that is both versatile and good-looking. The New Touran is a car made for everyone and everything.

# SEATS THAT BEND OVER BACKWARDS FOR YOU.



\* All models come standard with a multi-function steering-wheel.

With its incredibly spacious interior, abundance of storage compartments and versatile seating arrangements, including a 7-seater option, the New Touran has space for everything. Whether you're carrying the whole family and some friends, or all the bits and pieces you need for a long vacation, you'll find it all fits in, with ease. All three seats in the middle row can be easily adjusted, moved forwards and backwards, folded down or completely removed if necessary. The middle seat in the second row folds flat and has a robust plastic back

with a protective surrounding rim, forming a table for your passengers. The optional third row of seats is made up of two seats, that can be folded down separately into the floor of the luggage compartment, depending on your needs. In total, the New Touran offers over 500

different seating arrangements and boasts between 121 and 1,913 litres of luggage space, depending on your seating arrangement. Now that is versatility!

SUNNY DAYS.



IT'S PRACTICALLY STUNNING.



From the first glance, it is clear that the New Touran is a harmonious blend of elegant design and a functional use of space. With its distinctive new chrome-plated radiator grille featuring the new face of Volkswagen, the New Touran's dynamic new look is stylish and sporty.

The rear of the New Touran has been remodelled to reflect a more contemporary styling. A body-coloured bumper, gently curved tail gate and integrated roof spoiler contribute towards a more defined body, enhancing the car's exterior dynamics. The new, two part tail-lights

complete the rear styling, adding a refined touch to the overall appearance.

## BLUE SKY DAYS.



The spacious interior of the New Touran is nicely complemented by the optional panoramic glass sunroof that gives you an uninterrupted view of the sky above. It fills the cabin with natural light and adds an extra dimension to the considerable space inside. The sunroof is easily operated from the ergonomically located control panel and includes a wind deflector, that allows you to enjoy the sun and fresh air at higher speeds. If you want to stay out of the sun, but still enjoy the fresh air, then you simply close the built-in roller blind when the



STEEL WHEEL WITH STYLISED WHEEL COVERS – 6J x 15" (195/65 R15) – STANDARD ON THE TRENDLINE



"DAVOS" ALLOY WHEEL – 6J x 16" (205/55 R16) – STANDARD ON THE COMFORTLINE



"SACRAMENTO" ALLOY WHEEL – 6.5J x 16" (205/55 R16) – STANDARD ON THE HIGHLINE



"OAKLAND" ALLOY WHEEL – 7J x 17" (225/45 R17) – OPTIONAL ON THE HIGHLINE

sunroof is open. On days that are too hot to have the windows down, or the sunroof open, the darkened rear side windows and tinted rear window will help keep you cool by reducing solar radiation by up to 65 percent. An added benefit of the tinted windows is that they

keep the occupants and luggage in the rear of the New Touran out of sight of onlookers.

## SPACE IS ITS OWN LUXURY.



The New Touran is comfortable, spacious and versatile. Inside you'll find a luxurious, premium quality interior, conveniently located storage compartments and controls, and only the highest quality materials. From the refined seat upholstery, to the robust and

soft-touch plastics, you'll find that the New Touran doesn't compromise when it comes to quality. Adding to your driving pleasure are standard features such as a 3-spoke leather multi-function steering-wheel, height and reach adjustable steering column, onboard computer,

RCD-310 radio/MP3 with an eight speaker sound system, 'Climatic' air conditioning, front centre armrest and cruise control.

LIVE, WORK AND PLAY.



# PUSH THE BUTTON.



Now you can please the whole family with the 'Climatronic' air conditioning system (standard on the 1.4 103kW TSI Highline). It creates individual comfort zones within the car, allowing you to control the temperature and air supply in each climatic zone. The temperature can be set on the display for precise climate

control, while quality sensors measure the quality of outdoor air and, if necessary, switch on recirculation mode to prevent polluted air entering the cabin. Gone are the days of struggling into tight parking spots. The innovative optional "Park Assist" programme takes all the stress out of parallel parking by automatically

sensing parking spots as you drive and then manoeuvring your car into the bay automatically. All you need to do is take your hands off the steering-wheel, control the accelerator and brake and clutch when necessary. To further assist you, the "Rear Assist" rear view camera with Park Distance Control detects even the smallest

objects behind your car and reveals them on the radio display, making parking even easier. The optional Bi-Xenon headlights with LED daytime running lights and dynamic cornering lights let you know what's around the corner before you take it.

# THINK GREEN. LESS IS MORE.

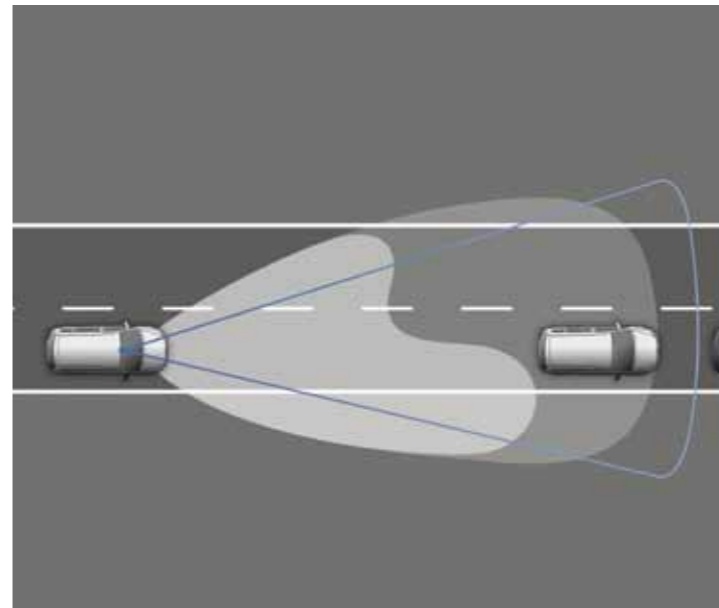


You don't have to sacrifice your love of driving for an environmentally friendly car. The new 1.2 77kW TSI engine uses the genius of TSI technology to give you reduced fuel consumption and lower CO<sub>2</sub> emissions, just 149 g/km, without having to compromise on engine performance. The 2.0 TDI model is responsive with an

efficient common rail injection engine. The new common rail TDI engine is better for you and the environment, using less fuel and producing lower emissions whilst maintaining the high torque and excellent driveability for which Volkswagen TDI technology is renowned.

Model Range	1.2 TSI Trendline	2.0 TDI Comfortline	2.0 TDI Comfortline DSG	1.4 TSI Highline
Power (kW@rpm)	77 @ 5,000	81 @ 4,200	81 @ 4,200	103 @ 5,600
Torque (Nm@rpm)	175 @ 1,550 - 4,100	250 @ 1,750	250 @ 1,750	220 @ 1,500 - 4000
Fuel Consumption (l (Combined))	6.4	5.4	5.7	6.8
CO <sub>2</sub> Emissions (g/km)	149	144	149	159

# SAFETY FIRST, SECOND AND THIRD.



Engineered to be one of the safest People Movers on the road, there is no compromise when it comes to safety in the New Touran. In the second row, all three seats have head restraints and three-point inertia-reel safety belts and two seats have ISOFIX attachments for easy and secure mounting of child seats. The versatile

braking assist systems, such as ABS (Anti-Lock Braking System), EBD (Electronic Brake Pressure Distribution), ASR (Anti-Spin Regulation), EDL (Electronic Differential Lock) and hill-hold control, work seamlessly with the Electronic Stabilisation Programme to correct oversteer and understeer and prevent any loss of control

of the vehicle. You can also take comfort in knowing that the New Touran has driver and front passenger airbags, front side airbags and curtain airbags for the front and second row passengers. Standard daytime running lights ensure your vehicle is visible to oncoming traffic throughout the day. Bi-xenon headlights with cornering

lights are optional and adjust the light distribution and range, ensuring that you have a clear view of any obstacles that may appear on the road.

## VOLKSWAGEN PEACE OF MIND.



Volkswagens are loved by millions of people all around the world, for a very good reason: they are built by people for people. From the elegant design of its body, to the numerous innovations, inside and out, the New Touran was built by the makers of People's Cars to be the

ultimate People Mover. You will always drive in comfort, you'll enjoy every ride and you'll have complete peace of mind knowing that you are protected by intuitive and futuristic safety features.

You can also take comfort in knowing that the New Touran comes standard with a 5-year / 90,000 km AutoMotion Service Plan and has a 3-year / 120,000 km warranty. An AutoMotion Maintenance Plan, with various distances of coverage, is optional on all models.

And with 105 Dealers nationwide, you can have confidence in our technical expertise and be assured of outstanding new car sales service and after-sales support.

## COLOUR YOUR WORLD.



Candy White  
Non-Metallic  
B4B4



India Blue  
Non-Metallic  
F3F3



Silver Leaf  
Metallic  
7B7B



Slate Grey  
Metallic  
X9X9



Acapulco Blue  
Metallic  
2W2W



Night Blue  
Metallic  
Z2Z2



Toffee Brown  
Metallic  
4Q4Q



Wild Cherry  
Metallic  
2K2K



Pepper Grey  
Metallic  
U5U5



Reflex Silver  
Metallic  
8E8E



Deep Black  
Pearl  
2T2T



Venecian Green  
Pearl  
E5E5

## CLOTH UPHOLSTERY.

### Trendline



**"Charly" Anthracite  
YV**



**"Charly" Blue-Anthracite  
PV**

### Comfortline



**"Miu" Anthracite  
YV**



**"Miu" Desert Beige  
PQ**

### Highline



**Alcantara / "Maja" Anthracite  
combination  
YV**



**Alcantara / "Maja" Desert Beige  
combination  
PQ**



**Alcantara / "Maja" Soft Brown  
combination  
PR**

## LEATHER UPHOLSTERY.

### Comfort & Highline only



**Anthracite  
YV**



**Mauro Brown  
PU**



**Desert Beige  
PQ**

Leather options available on Comfortline and Highline models only.



This information was effective as at December 2010 and is subject to change without notice.

Visit us at [vw.co.za](http://vw.co.za)

©Volkswagen of South Africa